



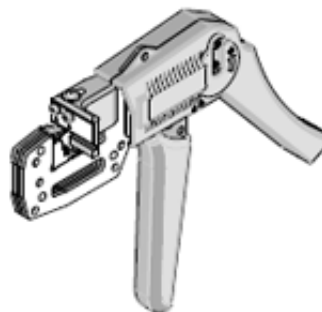
Part Number : [638110000](#)

Product Description : Hand Crimp Tool for 1.25mm Pitch Terminals on a Metal Strip, 32-26 AWG

Series Number : [207129](#)

Status : Active

Product Category : Crimp Presses and Crimp Hand Tools



Documents & Resources

Tooling Specifications

[ATS-638110000-001.pdf](#)

[TM-638000029-001.pdf](#)

[TM-638000029DE-001.pdf](#)

[TM-638000029SP-001.pdf](#)

[TM-638000029FR-001.pdf](#)

[TM-638000029IT-001.pdf](#)

[TM-638000029JP-001.pdf](#)

[TM-638000029KR-001.pdf](#)

[TM-638000029MY-001.pdf](#)

[TM-638000029PL-001.pdf](#)

[TM-638000029RU-001.pdf](#)

[TM-638000029SK-001.pdf](#)

[TM-638000029TH-001.pdf](#)

[TM-638000029VN-001.pdf](#)

[TM-638000029CN-001.pdf](#)

[TM-638000029TW-001.pdf](#)

Product Environment Compliance

Compliance

GADSL/IMDS	Not Relevant
China RoHS	Not Relevant
EU ELV	Not Relevant
Low-Halogen Status	Not Relevant
REACH SVHC	Not Contained per ED/30/2017 (7 July 2017)
EU RoHS	Compliant per EU 2015/863

Multiple Part Product Compliance Statements

- Eu RoHS
- REACH SVHC
- Low-Halogen

Multiple Part Industry Compliance Documents

- IPC 1752A Class C
- IPC 1752A Class D
- Molex Product Compliance Declaration
- IEC-62474
- chemSHERPA (xml)

EU RoHS Certificate of Compliance

Part Details

General

Status	Active
Category	Crimp Presses and Crimp Hand Tools
Series	207129
Description	Hand Crimp Tool for 1.25mm Pitch Terminals on a Metal Strip, 32-26 AWG
Comments	Hand tool 638110000 will process the 50058 series; however, to process the 50079 series you will also need to order die set 638113770; Type: 7
Function	Crimp
Geographic Area	Global
Level of Automation	Manual
More Detailed Tech Information	toolingsupport@molex.com
Product Family	Application Tooling
Product Name	N/A
Tool Type	Hand Crimp Tool
UPC	800754356916

Warranty Disclaimer	<p>CAUTION: Molex tooling crimp specifications are valid only when used with Molex terminals and tooling manufactured by Molex and sold by Molex or authorized distributors ("Molex Tooling").</p> <p>When using tooling other than Molex Tooling with Molex specific connector systems listed in our ATS documents, the Molex tooling qualification does not apply and the responsibility for full qualification of the connector system is that of the customer.</p> <p>Molex accepts no liability for connector performance or tooling support where tooling other than Molex Tooling is used or where Molex Tooling is modified.</p>
---------------------	--

Physical

Net Weight	0.001/g
------------	---------

Applicable Parts

Description	Part Number
1.25mm Pitch, PicoBlade Female Crimp Terminal, Tin (Sn) Plating, 32-28 AWG, Reel	<u>500588000</u>
1.25mm Pitch, PicoBlade Female Crimp Terminal, Tin (Sn) Plating, 28-26 AWG, Reel	<u>500798000</u>